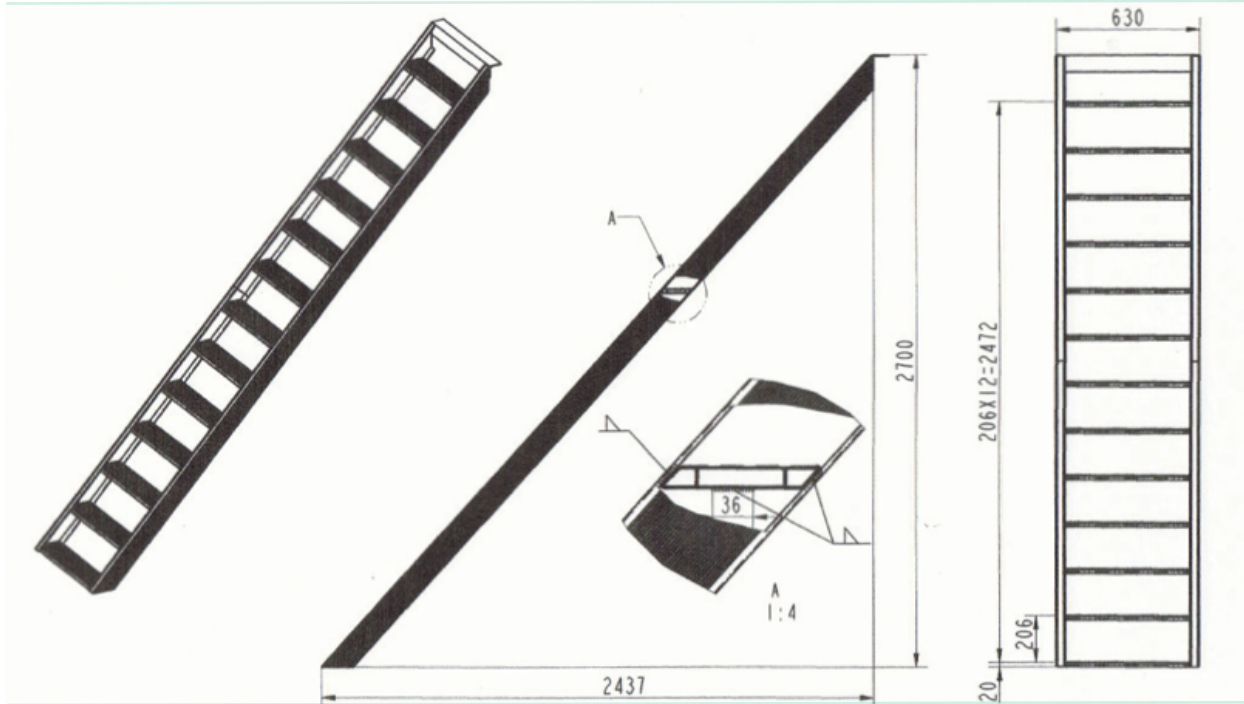


EASY STAIR



Stair Unit Quantity	1
Stair Unit Weight	24 kg
Guardrails Quantity	2
Guardrails Weight (Each)	8 kg
Total Weight	40 kg
Total Rise	2650 – 3050 mm
Rise Per Tread	206 mm
Total Going	2437 mm
Tread Depth	125 mm
Width	630 mm
Width Including Couplers	730 mm
Safe Working Load	225 kg
Floor Heights	2.65 m – 3.05 m

HIRE NOW

0121 355 4083

WWW.GREENPOWER-PLANT.CO.UK